

## Sommerhuber Hamam table oval

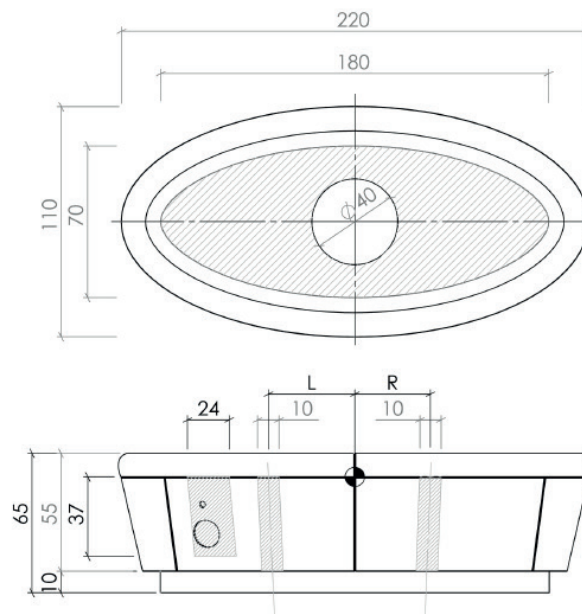
Freestanding heated Hamam table made of large-area heat storing ceramics consisting of a lying area with 1 transverse joint only and ceramic side elements in a coning shape. Velvety soft ceramic surface with optimal hygiene aspects. Thanks to specific characteristics heat storing ceramics emit mild areal infrared warmth, which enhances blood circulation and results in superior relaxation and maintaining of vitality.

Descriptive size: W/L/H ~ 220/110/65cm  
Article no.: 652 020

Delivery in separate components.  
Installation in accordance to assembly recommendation.

Available in 15 different glazes.

- Consisting of 2x Bench, 6x plinth
- Standard width of joints ~ 3 mm
- EPS sub-construction
- One-zone electrically heated with an EU 230V, heat capacity 1084W
- Thermostat IP20 for external installation
- Power supply via floor
- Surface temperature ceramics: uncovered up to max. 50°C.  
Recommended temperature: ~ 34°C +/- 2°C
- Incl. cable (standard length 2,5m)
- Incl. holes for water fittings in ceramic, drilled sharp-edged, in accordance to exact measurements
- Optional: Preparation for water heating
- Optional: LED illumination



This product is maintenance free.

For proper cleaning please use only cleaning agents with PH value between 5.0 - 9.0. Please use soft cleaning clothes only. Abrasive brushes or high-pressure cleaners could damage the glazed surface.