

Sommerhuber DUO Lounger

Freestanding heated lounger consisting of 2 Lounger Two Plus for 2 people. The DUO Lounger, with ergonomically shaped, large-area heat storing ceramics and 2 transverse and 1 centre joints only, allows for enjoyable indoor use. Velvety soft ceramic surface with optimal hygiene aspects. Thanks to specific characteristics heat storing ceramics emit mild areal infrared warmth, which enhances blood circulation and results in superior relaxation and maintaining of vitality.

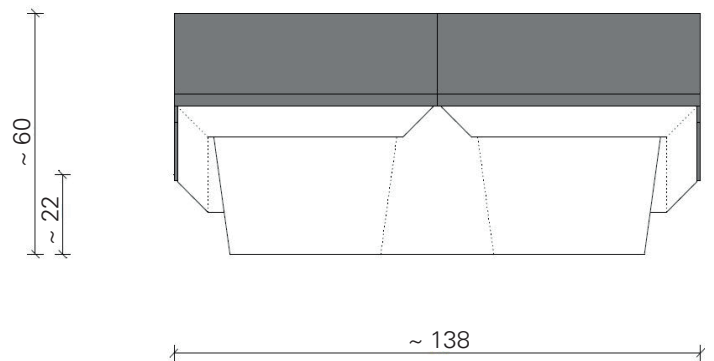
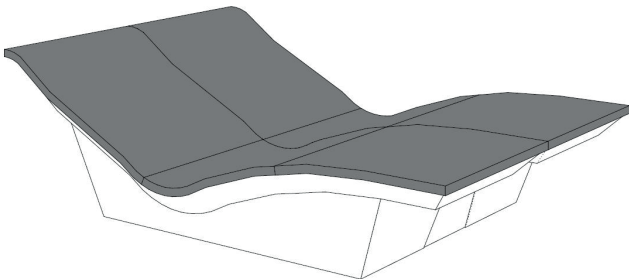
Descriptive size: L/W/H ~ 200/138/60 cm

Weight: each ~ 90 kg

Article no.: 2 pcs. 651 002 and 1 set 8225 322

Both Lounger Two Plus including connection elements are delivered separately ready to plug-in. Installation DUO Lounger in accordance to assembly recommendation. Available in 15 different glazes.

- EPS sub-construction, colour „offwhite“
- Each Lounger Two Plus: With static load, if fully fixed on the floor by adhesive, at standard height 22cm: Stability at the foot part max. 200 kg.
- Each incl. one-zone electrically heated with an EU 230V heating system (mounted), heat capacity 739W
- Each incl. thermostat IP20 for external installation
- Separate power supply for each Lounger via floor
- Surface temperature:
uncovered up to max. 50°C.
Recommended temperature: ~ 34°C +/- 2°C
- Each incl. cable (standard length 2,5m)
- Each incl. bolster "Relax", colour „offwhite“
- Optional: LED lights, matching colour to glaze of EPS corpus and headrest, USB connection



All measurements in cm

This product is maintenance free.

For proper cleaning please use only cleaning agents with PH value between 5.0 - 9.0. Please use soft cleaning clothes only. Abrasive brushes or high-pressure cleaners could damage the glazed surface.